

# Rudder Seals

## Type J

### PRODUCT OVERVIEW

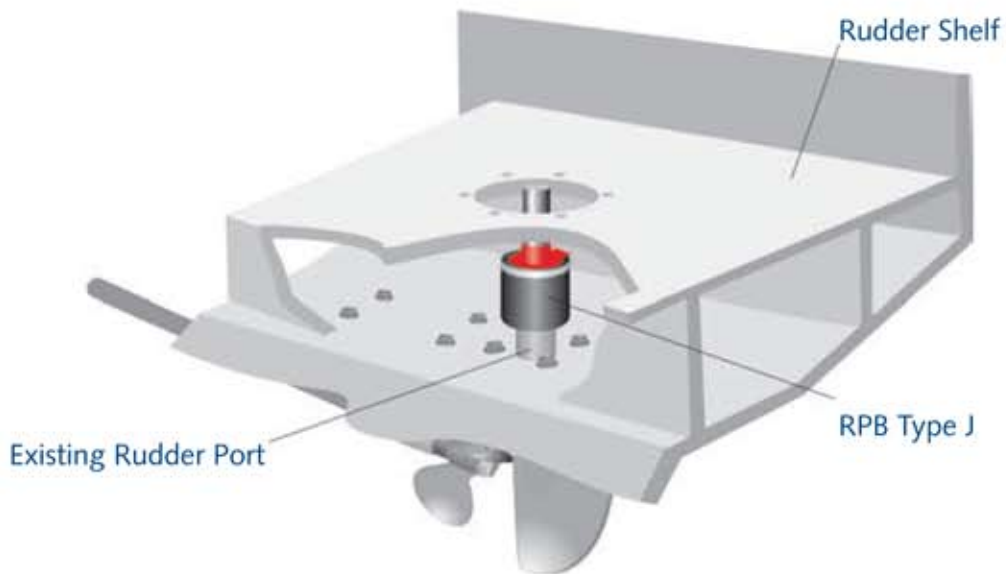
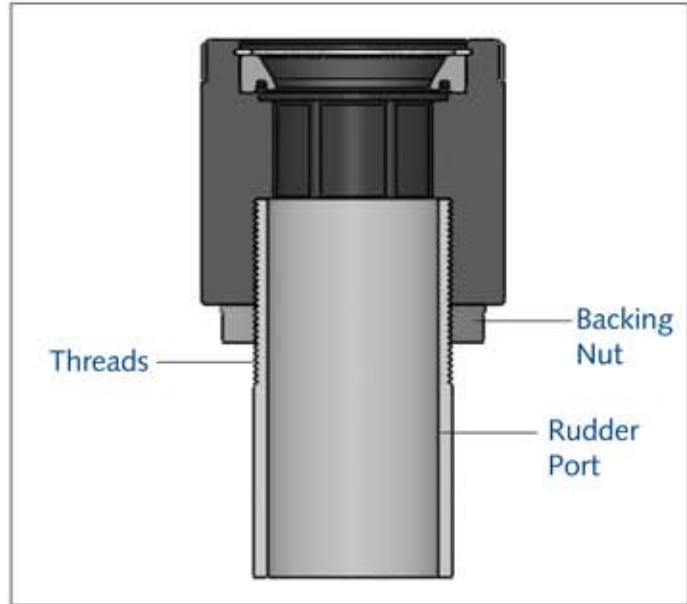


Tides Marine RPB Type J Rudder Seals are designed to replace the flax packing and compression nut of existing bronze rudder ports. Consisting of a one-piece UHMW housing with a nitrile lip seal, the Type J is 100% watertight. It is not subject to corrosion or electrolysis and provides quieter, smoother rudder system operation than the bronze stuffing box alternative.

# Rudder Seals

## Type J

### PRODUCT OVERVIEW



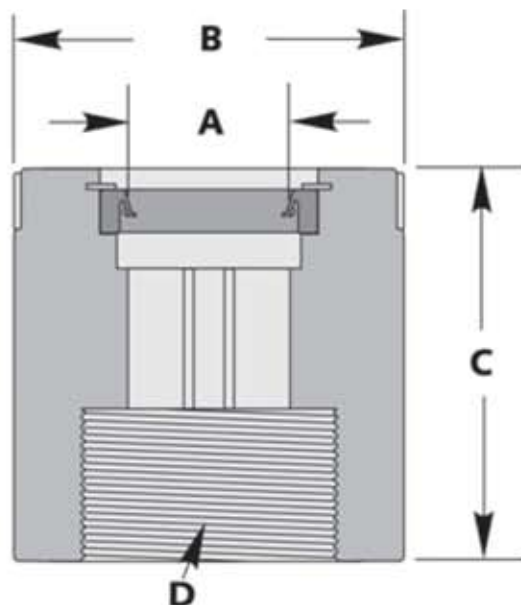
# Rudder Seals

## Type J

### BEFORE ORDERING

To determine the part number for your installation, measure the exact diameter of your rudder stock (.000") and the diameter and thread size of the rudder port. Match these three measurements to a line in the chart below. Next, confirm that there is sufficient space to accommodate both the assembly's diameter (Column "B" in the table) and height (Column "C" in the table).

If you are unable to match your installation measurements with those in Column "A" and "C" in the table below, simply call Tides Marine and we will machine a Type J to your specifications.



### Type J

#### Specifications (dimensions in inches)

RUDDER STOCK	DIAMETER	HEIGHT	THREAD SIZE	PART NUMBER
A	B	C	D	E
1	2 1/2	3 1/2	1 9/16 x 14	RPB-J-1000-01
1 1/4	3	3 1/2	1 3/4 x 12	RPB-J-1250-01
1 1/4	3	3 1/2	1 1/2 x 11-1/2NPT	RPB-J-1250-02
1 1/4	3	3 1/2	1 7/8 x 12	RPB-J-1250-03
1 1/4	3	3 1/2	1 13/16 x 14	RPB-J-1250-05
1 1/4	3	3 1/2	2 x 12	RPB-J-1250-06
1 1/4	3	3 1/2	1 3/4 x 14	RPB-J-1250-07
1 1/4	3	3 1/2	2 1/4 x 12	RPB-J-1250-08
1 1/4	3	3 1/2	1 13/16 x 16	RPB-J-1250-09
1 1/4	3	3 1/2	1 3/4 x 16	RPB-J-1250-11
1 1/4	3	3 1/2	1 5/8 x 12	RPB-J-1250-20
1 3/8	3	3 1/2	1 13/16 x 14	RPB-J-1375-01
1 3/8	3	3 1/2	2 1/8 x 14	RPB-J-1375-02
1 3/8	3	3 1/2	2 x 16	RPB-J-1375-03
1 3/8	3	3 1/2	1 3/4 x 14	RPB-J-1375-04
1 1/2	4	3 1/2	2 1/2 x 12	RPB-J-1500-09
1 1/2	4	3 1/2	2 7/8 x 12	RPB-J-1500-10
1 1/2	4	3 1/2	2 7/8 x 8	RPB-J-1500-11
1 1/2	4	3 1/2	2 1/8 x 11-1/2	RPB-J-1500-13
1 1/2	4	3 1/2	2 x 16	RPB-J-1500-14
1 1/2	4	3 1/2	2 1/8 x 12	RPB-J-1500-15
1 1/2	4	3 1/2	2 13/16 x 12	RPB-J-1500-16
1 1/2	4	3 1/2	1 1/2NPS x 11-1/2	RPB-J-1500-17

#### Note:

To ensure correct thread size, please send Tides either the backing nut or the packing nut from your bronze rudder port assembly. We will measure the threads, machine the part and then return the backing nut with your order.

# Rudder Seals

## Type J

### BEFORE ORDERING

#### Type J

#### Specifications (dimensions in inches)

RUDDER STOCK	DIAMETER	HEIGHT	THREAD SIZE	PART NUMBER
A	B	C	D	E
1 1/2	4	3 1/2	1 3/4 x 16	RPB-J-1500-01
1 1/2	4	3 1/2	2 x 11-1/2NPT	RPB-J-1500-02
1 1/2	4	3 1/2	2-1/8 x 14	RPB-J-1500-03
1 1/2	4	3 1/2	2 1/4 x 12	RPB-J-1500-04
1 1/2	4	3 1/2	2 3/8 x 11	RPB-J-1500-05
1 1/2	4	3 1/2	2 3/16 x 11-1/2	RPB-J-1500-06
1 1/2	4	3 1/2	2 3/4 x 12	RPB-J-1500-07
1 1/2	4	3 1/2	2 x 12	RPB-J-1500-08
1 3/4	4	4	2 x 11-1/2	RPB-J-1750-01
1 3/4	4	4	2 1/2 x 12	RPB-J-1750-02
1 3/4	4	4	2 1/2 x 14	RPB-J-1750-03
1 3/4	4	4	2 3/4 x 12	RPB-J-1750-04
1 3/4	4	4	2 1/2 x 8	RPB-J-1750-05
1 3/4	4	4	2 7/8 x 8	RPB-J-1750-06
1 3/4	4	4	2 13/16 x 12	RPB-J-1750-07
2	4	4	2 1/2 x 8	RPB-J-2000-01
2	4	4	2 7/8 x 12	RPB-J-2000-02
2	4	4	2 5/8 x 12	RPB-J-2000-03
2	4	4	2 7/8 x 16	RPB-J-2000-04
2	4	4	2 13/16 x 12	RPB-J-2000-05
2	4	4	3 x 8	RPB-J-2000-06
2	4	4	2 7/8 x 8	RPB-J-2000-07
2	4	4	2 3/4 x 12	RPB-J-2000-09
2	4	4	4 x 8	RPB-J-2000-12
2	4	4	2 1/2 x 12	RPB-J-2000-13
2 1/4	4 1/2	4	3 1/4 x 12	RPB-J-2250-01
2 1/4	4 1/2	4	2 7/8 x 12	RPB-J-2250-02
2 1/4	4 1/2	4	3 x 12	RPB-J-2250-03
2 1/2	4 1/2	4	3 1/4 x 12	RPB-J-2500-01
2 1/2	4 1/2	4	3 1/2 x 8	RPB-J-2500-02
2 1/2	4 1/2	4	3 5/8 x 12	RPB-J-2500-03
2 3/4	5	4 1/2	4 1/4 x 12	RPB-J-2750-01
3	5	4 1/2	4 1/4 x 12	RPB-J-3000-02
3	5	4 1/2	3 3/4 x 12	RPB-J-3000-03
3	5	4 1/2	4 x 4-1/2	RPB-J-3000-04