

Rudder Seals

Type I – SEAL ONLY (NO BEARING)

PRODUCT OVERVIEW



Note:

This product is a seal only. It provides no bearing support for the rudder. It is generally more economical to eliminate the dual cost of a rudder port and this seal by using one of our other sealed bearing systems, such as a Type C, Type D or Tube System.

Tides Marine Type I Rudder Seals are retrofit units which are designed to replace hose mounted rudder stuffing boxes. They are connected to the existing bronze rudder port with a flexible hose which aligns the unit with the rudder stock. The assembly consists of a one-piece UHMW housing and a nitrile lip seal. The Type I will slightly increase the overall height of the rudder port assembly.

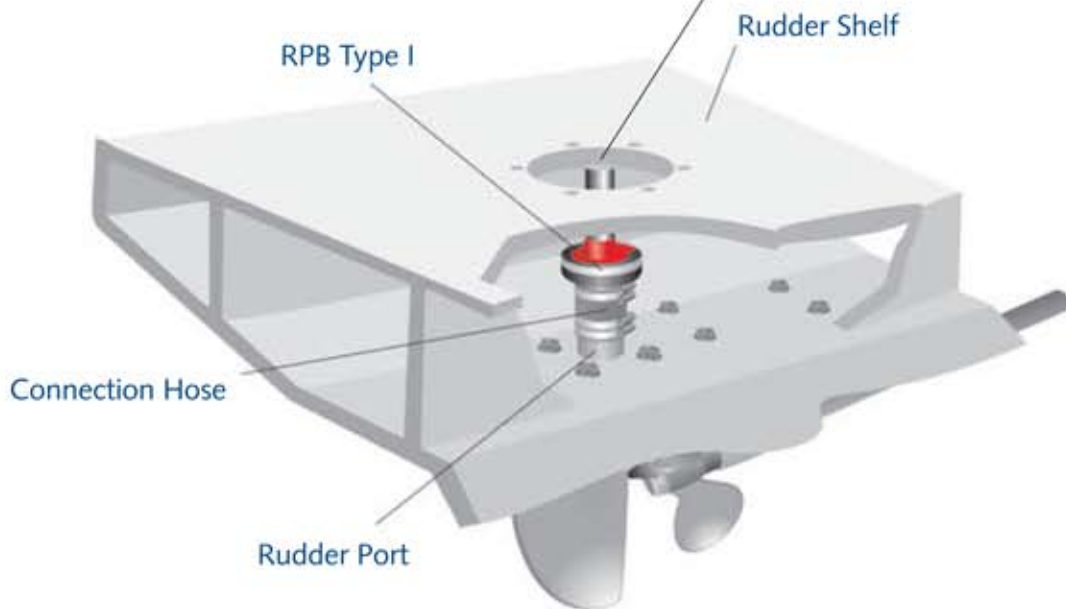
These 100% watertight units provide quieter, smoother operation. A pre-cut length of soft-wall hose (purchased separately) must be used with each Type I Rudder Seal for warranty coverage to apply.

Rudder Seals

Type I – SEAL ONLY (NO BEARING)

PRODUCT OVERVIEW

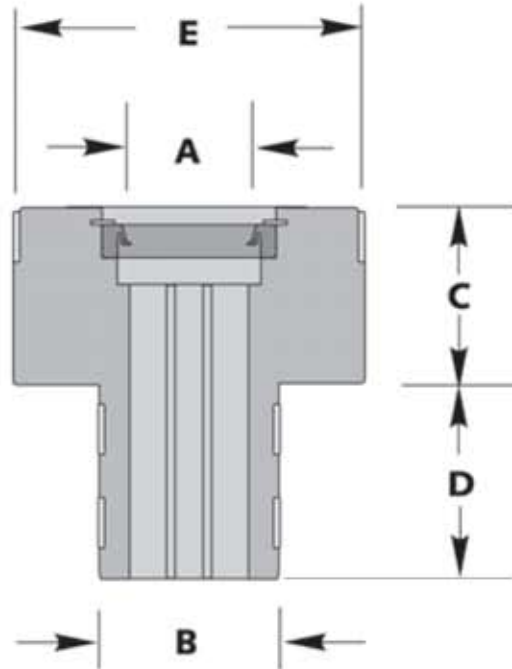
If space is available, the red "hat" installation tool can be inverted and rested on top of the rudder bearing to help protect the lip seal from debris.



Rudder Seals

Type I – SEAL ONLY (NO BEARING)

BEFORE ORDERING



To determine which part to order, measure the exact diameter of the rudder stock (.000") and the O.D. of the bronze rudder port to which the unit will be connected. Note your combination of rudder stock diameter and rudder port O.D. in the table below. Confirm that there is sufficient space to accommodate the flange height and the barrel height plus 1" of space between the Type I unit and the rudder port. Finally, confirm that there is clearance for the O.D. of the Type I assembly.

If your installation does not fit within the parameters noted below, please call Tides Marine to request a custom Type I.

Type I

Specifications (dimensions in inches)

RUDDER STOCK OD	MINIMUM HOSE ID	FLANGE HEIGHT	BARREL LENGTH	FLANGE DIAMETER	PART NUMBER
A	B	C	D	E	
1	1 3/4	1 1/2	1 1/2	2 1/2	RPB-I-1000-(Hose ID)
1 1/4	2	1 1/2	2	3	RPB-I-1250-(Hose ID)
1 1/2	2 1/4	1 1/2	2	4	RPB-I-1500-(Hose ID)
1 3/4	2 1/2	2	2	4	RPB-I-1750-(Hose ID)
2	3	2	2	4	RPB-I-2000-(Hose ID)
2 1/4	3	2	2	4 1/2	RPB-I-2250-(Hose ID)
2 1/2	3 1/4	2	2	4 1/2	RPB-I-2500-(Hose ID)
2 3/4	3 1/2	2 1/2	2	5	RPB-I-2750-(Hose ID)
3	4	2 1/2	2 1/2	5	RPB-I-3000-(Hose ID)