

Rudder Port Bearings - With Seals

Type C

PRODUCT OVERVIEW



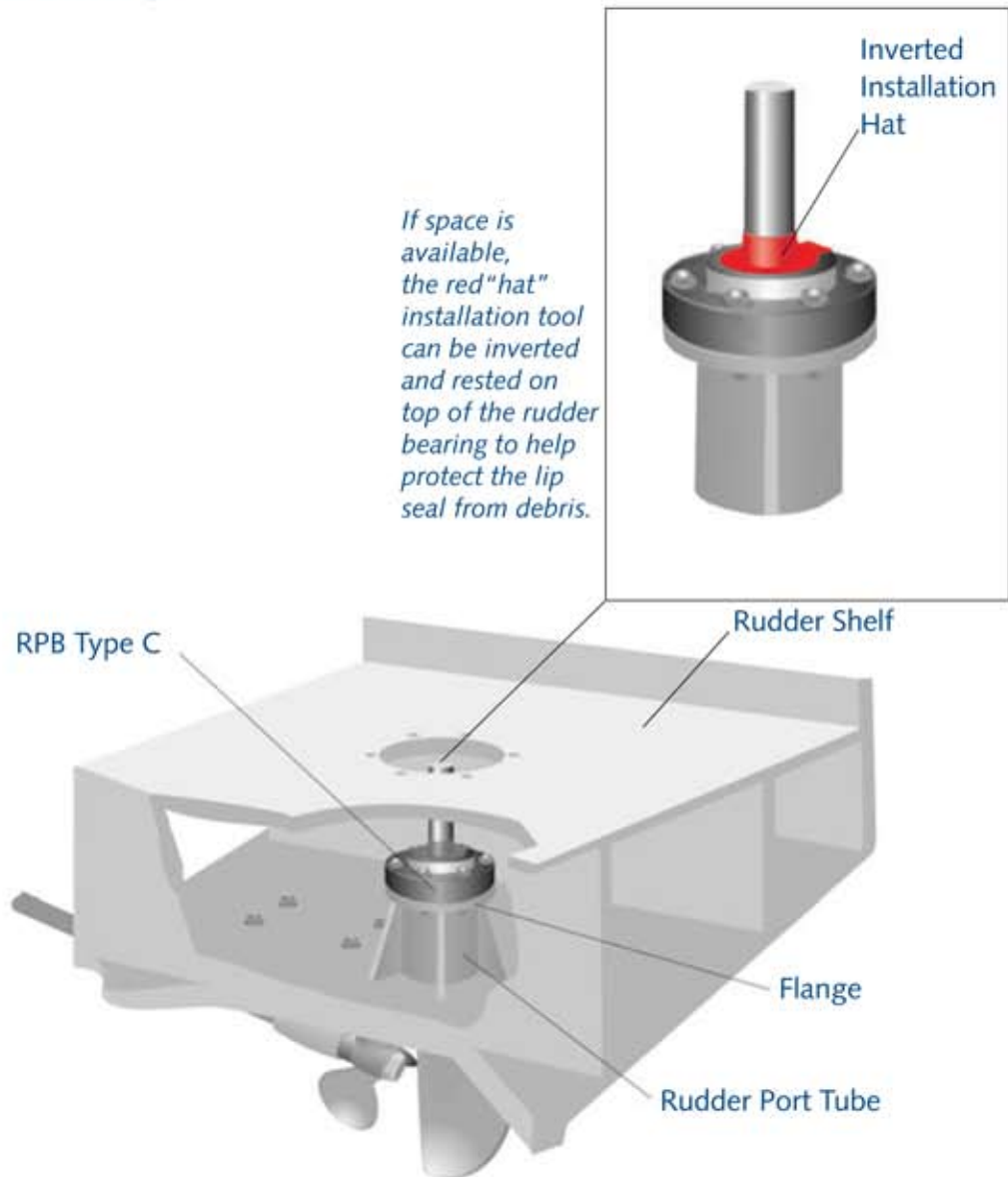
The Tides Marine Type C rudder port is used in vessels constructed of FRP, steel or aluminum which have an integral rudder port tube and flange. Unlike the typical assemble with separate bearing and packing, the Type C unit combines both sealing and bearing functions in a cost-effective housing. It is an ABS- and Lloyds-approved design and offers a substantial "bearing surface" to "rudder stock diameter" ratio.

The units consist of a one-piece UHMW housing and a nitrile lip seal. The Type C is 100% watertight. It eliminates metal-to-metal contact and the associated problems of abrasion, electrolysis and corrosion. Rudder chatter and vibration are reduced, resulting in quieter, smoother performance.

Rudder Port Bearings - With Seals

Type C

BEFORE ORDERING



To determine which part to order, measure the exact diameter of your rudder stock (.000") and the inside diameter of the rudder tube into which it will be mounted. Be sure that the ID of the tube is round, so that the barrel of the Type C will slide in easily (without force).

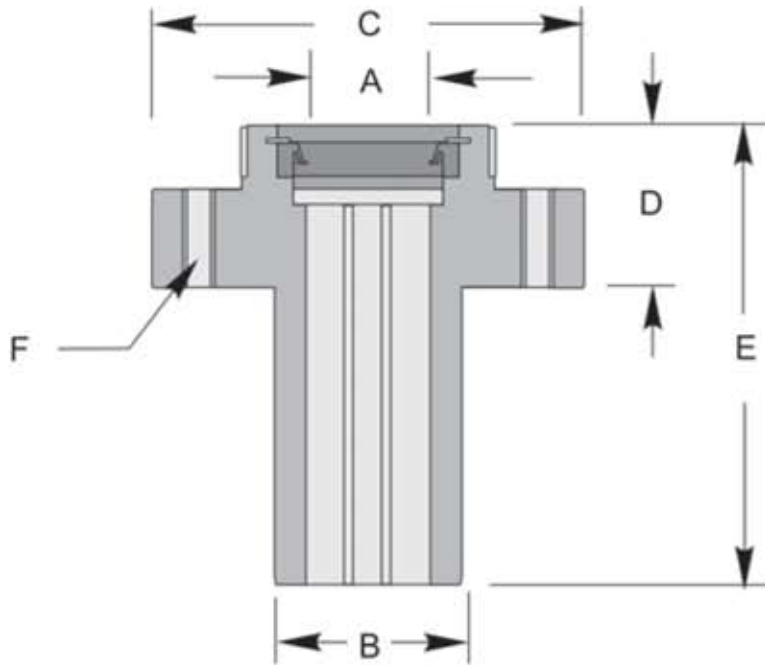
If necessary, Tides will machine the barrel of the Type C to ensure a proper fit within the tube. Using the rudder stock size and tube ID measurement, locate your part in the table on page 16. Next, confirm that the tube flange is of sufficient size to accept the bolt pattern and diameter of the flange (Column C). Make certain your existing rudder tube is long enough to encase the entire Type C within its shape.

Finally, refer to Column E in the table on page 16 to make sure there is sufficient space over the top of the existing rudder tube to install this Type C bearing.

Rudder Port Bearings - With Seals

Type C

BEFORE ORDERING



Type C

Specifications (dimensions in inches)

RUDDER STOCK OD	TUBE ID	DIAMETER	FLANGE HEIGHT	TOTAL HEIGHT	# OF BOLTS IN FLANGE	PART NUMBER
A	B	C	D	E	F	
1	2 1/2	5	1 7/8	4 7/8	6	RPB-C-1000
1 1/4	2 1/2	5	1 7/8	4 7/8	6	RPB-C-1250
1 1/2	3	6	1 7/8	5 7/8	6	RPB-C-1500
1 3/4	3	6	1 7/8	5 7/8	6	RPB-C-1750
2	3 1/2	6 1/2	2 1/8	7 1/8	6	RPB-C-2000
2 1/4	3 1/2	6 1/2	2 1/8	7 1/8	6	RPB-C-2250
2 1/2	4	6 1/2	2 1/8	7 1/8	6	RPB-C-2500
2 3/4	4	7	2 1/8	7 1/8	6	RPB-C-2750
3	4 1/2	7	2 1/8	7 1/8	6	RPB-C-3000
3 1/2	5	8	2 3/8	8	8	RPB-C-3500
4	5 1/2	8 1/2	2 3/4	8 3/4	8	RPB-C-4000
4 1/2	6	9	2 7/8	9 7/8	8	RPB-C-4500
5	6 1/2	9 1/2	2 3/8	10 3/8	8	RPB-C-5000
5 1/2	7	10 1/2	2 3/8	11 3/8	8	RPB-C-5500
6	7 1/2	11	2 3/8	12 3/8	8	RPB-C-6000

If you are replacing a standard part (ex: RPB-C-1000), please specify its size/configurations when ordering because there are numerous variations for the same shaft size. You may not have the standard model.