

Upper Rudder Bearing-Low Profile

PRODUCT OVERVIEW



The Tides Marine Upper Rudder Bearing-Low Profile (URB-LP) is designed to be installed on vessels where the steering system components need to be located as close to the rudder shelf as possible. Mounted “through” the rudder shelf, this design maintains a clean, low-profile appearance. Like the URB-STD, the URB-LP is an ABS- and Lloyds-approved, self-aligning design which accommodates up to 10 degrees of off-axis alignment between the mounting surface (rudder shelf) and the rudder stock. As a result, it requires no shimming during installation and won’t load up the rudder shaft during vessel operation.

The URB-LP is lighter than conventional bronze units. It consists of a UHMW ball-type bearing captured within a UHMW housing. The ball-type bearing is designed with a “flat surface” at the top to accept a rudder collar, allowing the unit to effectively carry rudder “download” during vessel operation.

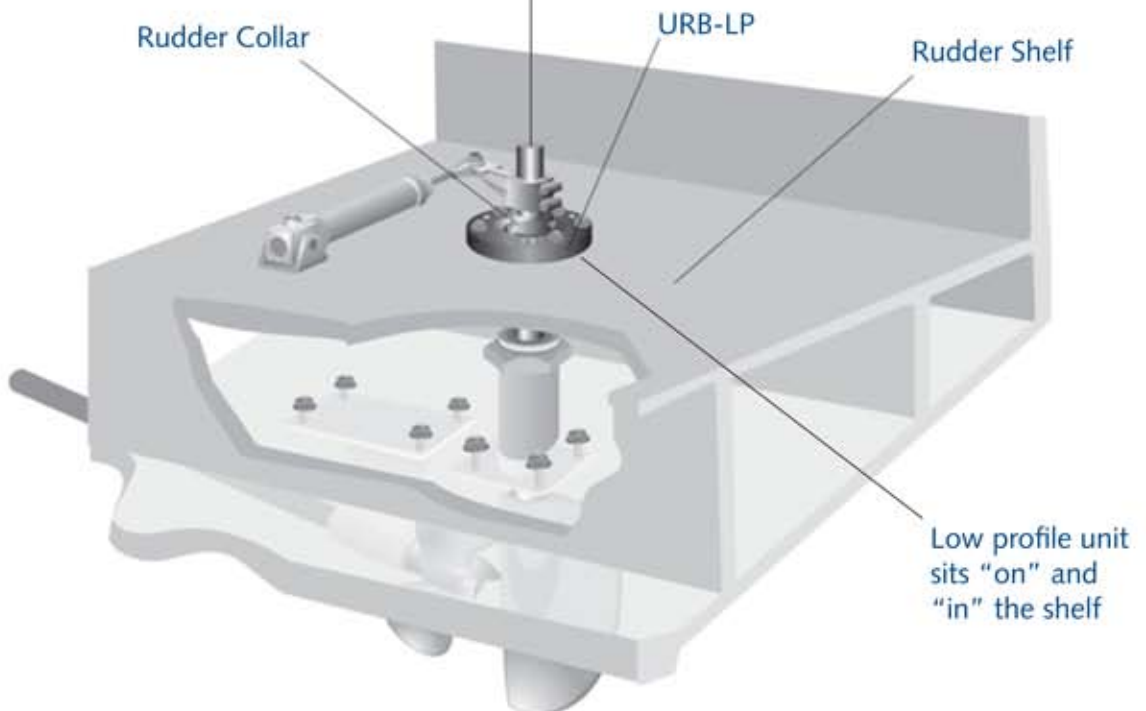
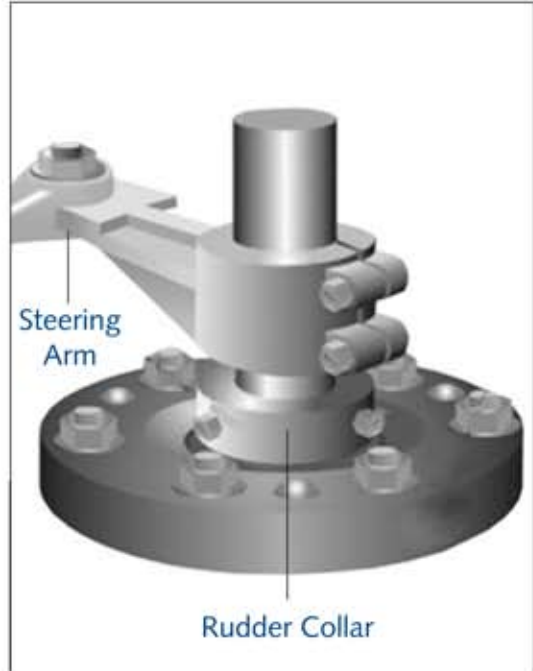
The Tides design eliminates metal-to-metal contact and the associated problems of abrasion, electrolysis and corrosion. The URB-LP is self-lubricating and maintenance free. Steering is smoother and quieter. Minor mounting adjustments to the rudder system’s steering components may be necessary if the height of the unit is different than the metal pillow-block style bearing it is replacing.

Upper Rudder Bearing-Low Profile

PRODUCT OVERVIEW

Bronze Rudder Stock Note:

Bronze rudder stock diameters may run slightly under nominal. If necessary, Tides will machine the bore of the ball-type bearing to match your installation accordingly.



Upper Rudder Bearing-Low Profile

BEFORE ORDERING

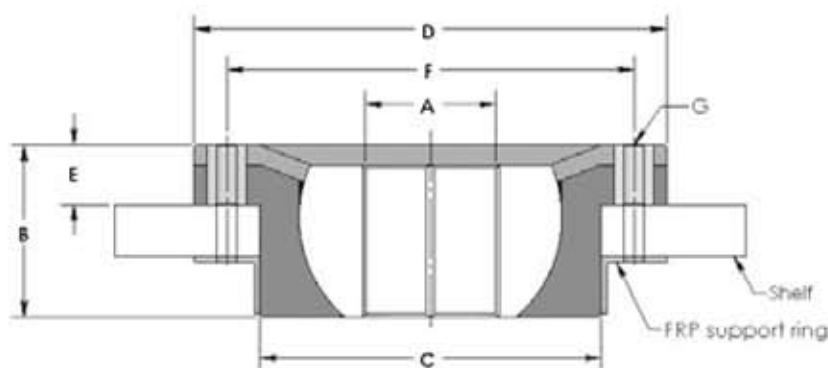
Before placing your order, there are several measurements you need to take/confirm.

Measure the exact diameter of your rudder stock (.000"). Locate this measurement in the table below.

Next, note the flange height of your part (measurement E) in the table. Verify there is enough room between the rudder shelf and the deck / miscellaneous construction above to install the unit (generally, 1 ½ x the overall height of the unit (Measurement B).

Then, using the barrel diameter measurement in Column C, confirm there is sufficient clear space on the shelf around the rudder stock to locate the URB-LP.

Finally, check the position and mounted height of other steering components to determine if any adjustment will be necessary once the URB-LP is in place.



Upper Rudder Bearing-Low Profile

Specifications (dimensions in inches)

RUDDER STOCK OD	ASSEMBLY HEIGHT	BARREL OD	FLANGE DIAMETER	FLANGE HEIGHT	BOLT CENTER	# OF BOLTS IN FLANGE	PART NUMBER
A	B	C	D	E	F	G	
1	2	4 1/2	6 1/2	3/4	5 1/2	6	URB-LP-1000
1 1/4	2	4 1/2	6 1/2	3/4	5 1/2	6	URB-LP-1250
1 3/8	2	4 1/2	6 1/2	3/4	5 1/2	6	URB-LP-1375
1 1/2	2	4 1/2	6 1/2	3/4	5 1/2	6	URB-LP-1500
1 3/4	2	4 1/2	6 1/2	3/4	5 1/2	6	URB-LP-1750
2	2 9/16	5 1/2	7 1/2	5/8	6 1/2	6	URB-LP-2000
2 1/4	2 9/16	5 1/2	7 1/2	5/8	6 1/2	6	URB-LP-2250
2 1/2	2 15/16	6 1/2	9	3/4	7 3/4	8	URB-LP-2500
2 3/4	2 15/16	6 1/2	9	3/4	7 3/4	8	URB-LP-2750
3	2 15/16	6 1/2	9	3/4	7 3/4	8	URB-LP-3000
3 1/2	4	8	11	1 1/2	9 1/2	8	URB-LP-3500
4	4 1/8	8 1/2	11 1/2	1 1/2	9 1/2	8	URB-LP-4000
4 1/2	4 1/8	8 1/2	12	1 1/2	10 1/4	8	URB-LP-4500
5	4 1/4	9	12 1/2	1 1/2	10 3/4	10	URB-LP-5000

If you are replacing a standard part (ex: URB-LP-1000), please specify its size/configurations when ordering because there are numerous variations for the same shaft size. You may not have the standard model.